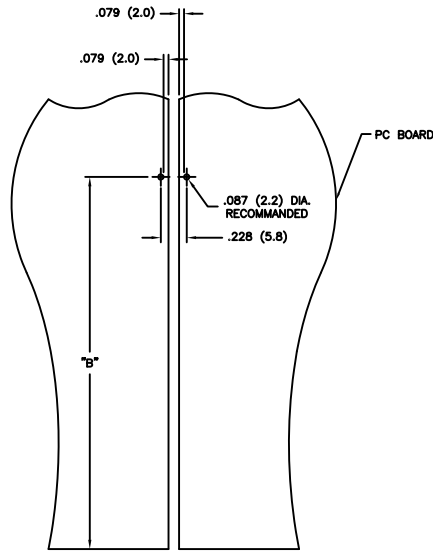


PART NO.	"A"	"B"	METAL INSERT M3 4/40	STD. PACKAGE QUANTITY	FIG. NO.
VMCGN-065-M3-LSWT-K	2.56 (65)	2.24 (57)	X	100	1
VMCGN-065-4/40-LSWT			X	100	1
VMCGN-105-M3-LSWT-K	4.13 (105)	3.82 (97)	X	100	2+3
VMCGN-105-4/40-LSWT			X	100	2+3
VMCGN-120-M3-LSWT-K	4.72 (120)	4.41 (112)	X	100	1
VMCGN-120-4/40-LSWT			X	100	1
VMCGN-160-M3-LSWT-K	6.30 (160)	5.98 (152)	X	100	2+3
VMCGN-160-4/40-LSWT			X	100	2+3
VMCGN-EX-40	40	32		100	3



BOARD HOLE
LOCATION



FIG. #1
(BASE)

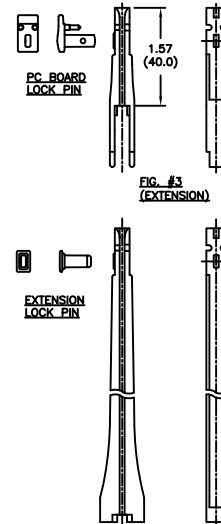
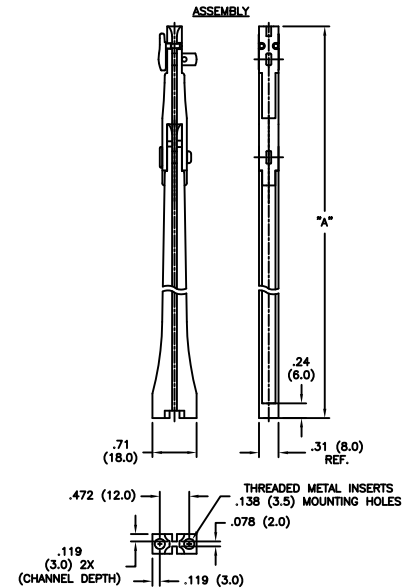


FIG. #2
(BASE)



NOTES:

- CARD GUIDE MATERIAL: FLAME RETARDANT POLYSTYRENE (RMS-117).
- CARD GUIDE COLOR: BLUE.
- LOCKING SYSTEM COLOR: WHITE (LSWT).
- CARD GUIDE WITH M3 INSERTS IS SUPPLIED WITH HARDWARE KIT, SUFFIX "-K", (WASHER, LOCK WASHER & M3X8 SCREW).
- CARD GUIDE WITH 4/40 INSERTS IS NOT SUPPLIED WITH HARDWARE.
- COMPONENTS:
 - LOCKING BUTTON: ACETAL (RMS-39)
 - SCREW: MILD STEEL, ZINC PLATED (RMS-415)
 - THREADED INSERT: BRASS (RMS-231)
 - WASHER: STAINLESS STEEL (RMS-228)

D	SEE CO 200636, SCREW MAT'L CHANGED	SK 03.14.11
C	SEE CO 200448 FOR CHANGES	SK 09.30.09
B	SEE ECN #1285 FOR CHANGES	SK 02.12.07
A	SEE ECN #518 FOR CHANGES	SM 11/12/02
REV	DESCRIPTION	ENGR DATE

TITLE: VERTICAL MOUNT CARD GUIDE		DWG IN	FINAL	PRINT
TOLERANCES UNLESS NOTED .XX=±.010 .XXX=±.005 FRAC=±1/64 ANG=1°	FILE # VMCGN MAT'L: SEE NOTES RE: RICHCO, INC.	DWN: R.D.G. DT: 03/13/01	APP: DT:	PART # SEE TABLE
RICHCO INC. PO BOX 804238, CHICAGO, 60680 (773) 539-4060				TYPE CA